

OP

Task support vehicle



OPERATOR PLATFORM

The OP is the new generation of task support vehicle. Extremely stable mast, user friendly, it is the ideal solution for small volume order picking as well as the retail environment. OP is developed to reduce injuries in the work place and increase the efficiency in the warehouse. Best productivity in class OP offers a great manoeuvrability thanks to the innovative driving system.



APPLICATIONS

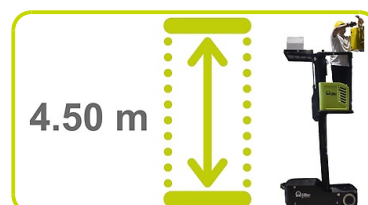
Minimize picker travel and distances. Perfect to work at height in safety without losing time.

Maintenance Industry/hospital/venue: Maintenance of ceiling facilities as lights, antifire systems, HVAC systems

Manufacturing: Installation and maintenance of systems installed near ceiling

Food and beverage: Maintenance or process verification without using ladder in food industry

Retail: Move goods from top to lower part of the shelf (top part usually used as buffer)



INTUITIVE DRIVING SYSTEM

Perfect and precise driving control over the vehicle.
Immediate understanding of how it works through easy buttons/commands.



FEATURES

LEFT HANDLE:

- Ergonomic steering wheel
- Safety led (hand in position)
- Battery indicator with
 - Steering direction
 - Battery status
 - Working hours

RIGHT HANDLE:

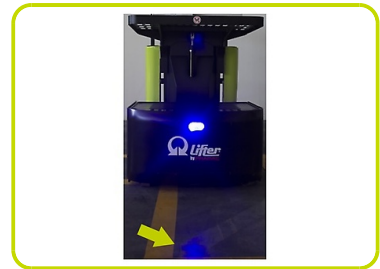
- Power off button
- Try up/down Buttons
- Platform up/down button
- Safety led (hand in position)
- Throttle forward/backward



SAFETY

Complete set of safety sensors ensuring maximum protection and easiness of use:

- **Blue light**
For easy identification and increased safety



- **Safety doors**
Must be closed to raise the vehicle

PERFORMANCE

Impressive performance up to 250 peak for hours in a compact size.
Smooth drive and smooth acceleration.
Simultaneous travel and lift, speed up to 6,5km/h to reduce downtime between worksites.



BATTERY

Maintenance-free AGM. Easy to recharge and charge indicator on the led display.
Li-Ion battery option available.
Built-in charger.



Description

Lift			Electric
Drive			Electric
Operator type			Task support vehicle
Load capacity - Tray	Q1	Kg	90
Load capacity - Base	Q2	Kg	110
Load capacity - Operator	Q3	Kg	136
Wheelbase	y	mm	1095

Weight

Service weight (battery included)		Kg	800
Axle loading, unladen FRONT/REAR		Kg	370/430

Tyres/Chassis

Tyres (Front/Rear)			PU/Rubber
Tyre size, front (Ø x width)			210x70
Tyre size, rear (Ø x width)		mm	250x100
Wheels, number front, rear (x=drive wheels)		n.	1x, 2/2
Track width, front, driving side	b10	mm	545
Track width, rear, loading side	b11	mm	640

Dimensions

Lift height	h3	mm	3620
Standing height	h7	mm	275
Standing height, elevated	h12	mm	3000
Overall length	l1	mm	1440
Overall width	b1/ b2	mm	750
Ground clearance, center of wheelbase	m2	mm	35
Turning radius	Wa	mm	1260

Performance data

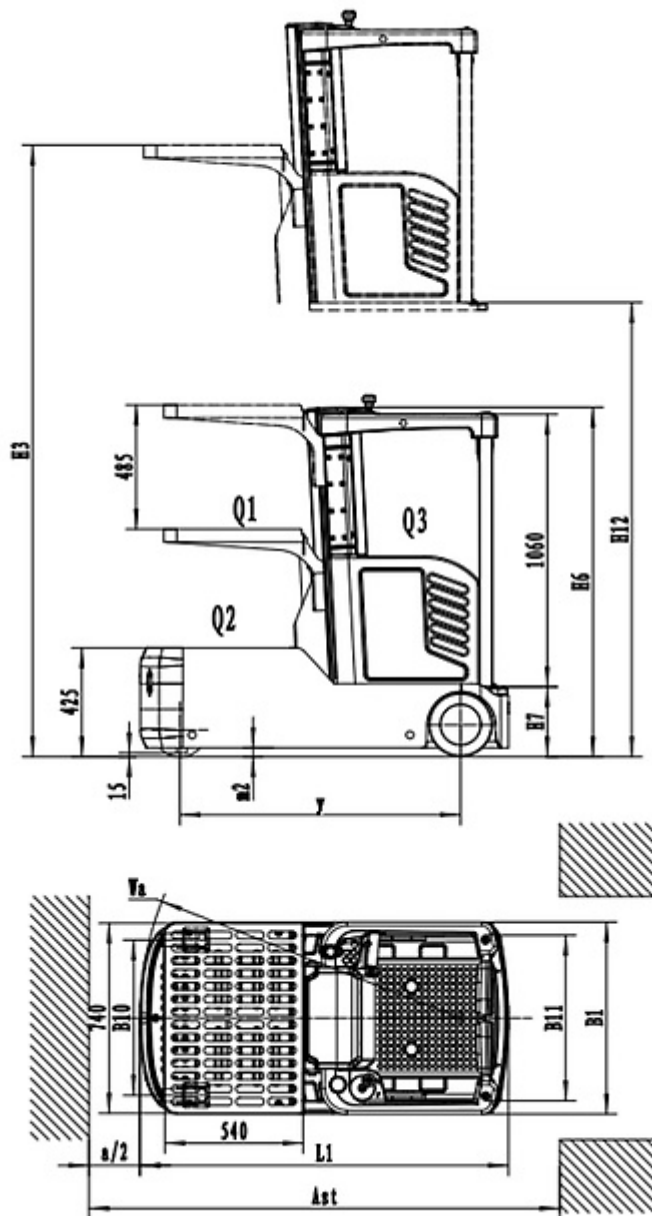
Travel speed, laden/unladen (H:0-500mm)	km/h	6/6.5
Travel speed, laden/unladen (H:500-1000mm)	km/h	3
Travel speed, laden/unladen (H:1000-2000mm)	km/h	2
Travel speed, laden/unladen (H:2000-3000mm)	km/h	1
Lifting speed, laden/unladen (Q3)	m/s	0.213/0.225
Lifting speed, laden/unladen (Q1)	m/s	0.023/0.028
Lowering speed, laden/unladen (Q3)	m/s	0.230/0.233
Lowering speed, laden/unladen (Q1)	m/s	0.030/0.029
Max gradeability, laden/unladen	%	5/8
Service brake type		Electromagnetic

ELECTRIC ENGINE

Drive motor rating S2 60 min	kw	0.65
Lift motor rating at S3 15%	kw	2.2
Battery voltage/nominal capacity K5	V/Ah	24V/120Ah
Battery weight	kg	35

ADDITIONAL DATA

Type of drive unit		DC
Steering type		Electronic steering
Sound pressure level at the driver's ear	dB(A)	74



The information is aligned with the Data file at the time of download. Printed on 27/10/2022 (ID 10895)

©2022 | PR INDUSTRIAL s.r.l. | All rights reserved | Image shown may not reflect actual package. Specifications subject to change without notice

